



**8150 / 9135 / 3M
LG-200**

VIDEO PORTASCOPE

OPERATION MANUAL

PORTABLE VIDEOSCOPIES

THIS VIDEO ENDOSCOPY EQUIPMENT IS NOT FDA 510K APPROVED!
NOT APPROVED FOR MEDICAL USE IN ANY COUNTRY!

1800Endoscope.com LLC



CONTENTS

WARRANTY	3
PRECAUTIONS	4
VIDEO SCOPE SKETCH MAP	5
I. SPECIFICATIONS	6
II. PERFORMANCE CHARACTERISTICS	7
III. METHODS OF OPERATION	7
IV. LEAK TESTING	9
V. REPLACEMENT OF BULB	9
VI. CLEANING AND MAINTENANCE	9
VII. MISC.	10

See Set Up Video on Youtube:
<http://tinyurl.com/1800PVSMANUAL> or
youtube.com/1800endoscope look for 1800PVS Set up

1 Year Warranty

Buyer Information (Filling out in detail)

Company of purchase :	
Add. :	
Item No:	Serial No. :
Place of purchase :	Date of purchase :
Invoice No. :	Tel :

- **Maintenance Form should be sent back to 1800Endoscope.com LLC within a month after purchase.**

Maintenance Method Contact 1800Endoscope.com LLC based on the original invoice or copy document if you need any help. Maintenance Form should be feedback within one month after purchase.

Maintenance terms: Within one-year from the date of purchase, our company will repair trouble with free if the fault comes from the quality.

Without including the following conditions:

- 1、 The fault comes from the mal-operation or incorrect storage.
- 2、 Disassembly by user self

PRECAUTIONS:

1. The temperature of measured object not more than 60°C
2. After operation, insertion tube can be pulled out after put right/left/Up/Down angulations wheels at the default position.
3. Don't knock, hit, and wrestle the distal end of endoscopes. And don't squeeze or press endoscope itself as well.

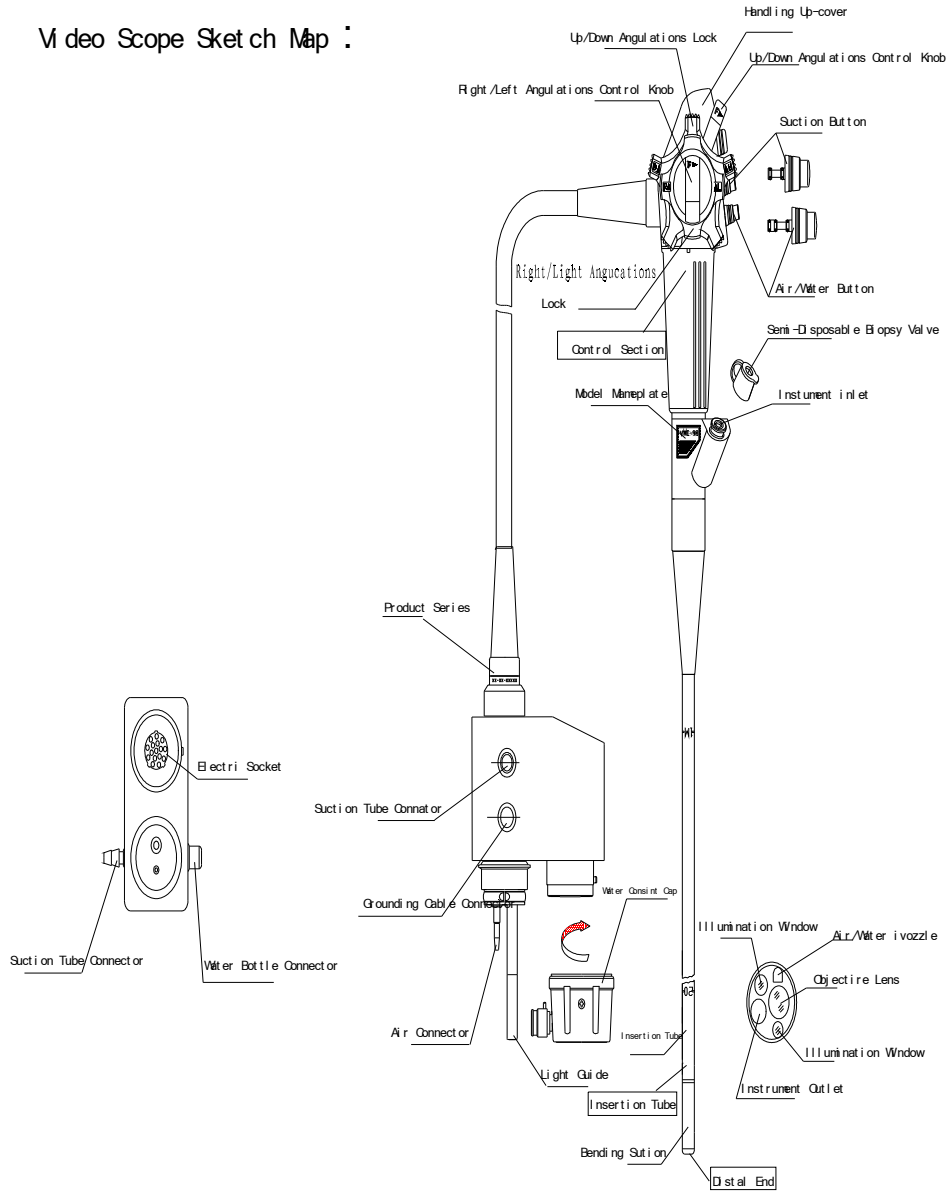
Thank you for purchasing our Portable Videoscope, this manual thoroughly and apply instructions here in diligently, to ensure correct operation and storage methods are performed, in order to prolong the life of your products.

If you carefully read the instruction manual, can consistently play to the advantages of this endoscope, so please be sure to fully use this manual. Working environment, storage environment of this device should meet the following requirements, -10 °C ~ 40 °C.

Voltage : 110v – 240 VAC

Owing to the continuous improvements, the product of this factory manufactured is subject to change in appearance and specification without notice.

Video Scope Sketch Map :



This device is applied for observation, diagnosis and treatment of various diseases inside of animals. And it is easy for users to carry it based on its portable design.

I. Specifications of Portable Videoscope :

1) MODEL : 1800PVS9150 / 1800PVS3M

Optical System: Field of View :120°
Direction of View : 0°
Depth of field :5-100mm
Resolution :440K pixels

Display System : Full Screen / frozen function

Length : Total length :1850mm / 3 Meter
Working length :1500mm / 3 Meter

Outer Diameter:

Distal End Outer Diameter :Φ8.5mm / Φ 12.9mm
Insertion Tube Outer Diameter :Φ8.0mm / Φ 12.9mm

Inner Diameter of Instrument Channel :Φ2.0mm / Φ 3.2mm

Bending section: range of tip bending (4-ways): 180°Up,90°Down, 100°Right/Left

2) **Standard Inclusions of Portable Videoscope :**

Accessories: Videoscope	1800PVS	1pc
Biopsy Forceps		1pcs
Cleaning Brush		1pc
Mouth Pieces		2pcs
Biopsy cap		3pcs
Cleaning kits		1set
Seal Rings		15pcs
Leakage Tester		1pc
Case		1pc
Operation Manual		1pc

3) **Standard Inclusions of Light Source:**

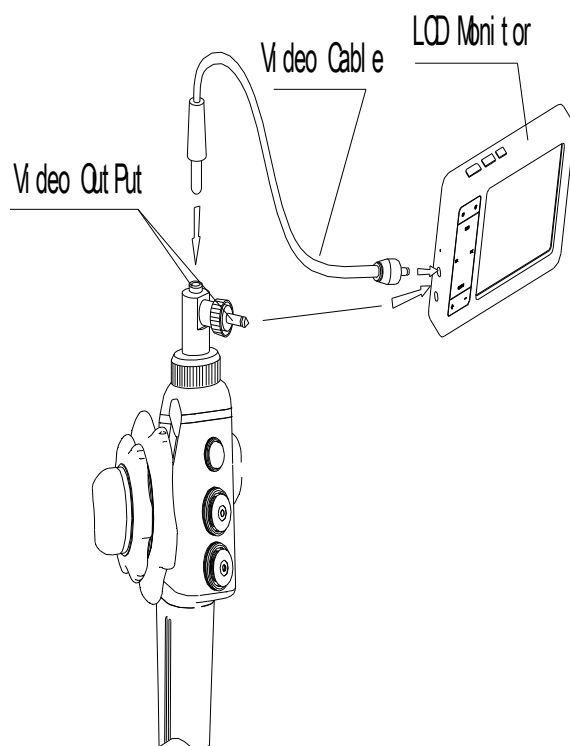
Processor	1800LG-200	1unit
BNC Video Cable		1pc

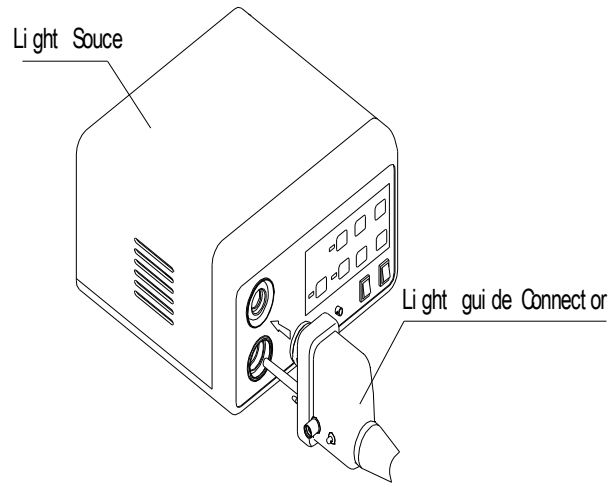
II. 1800LG200 Semi Portable Processor Light Source;

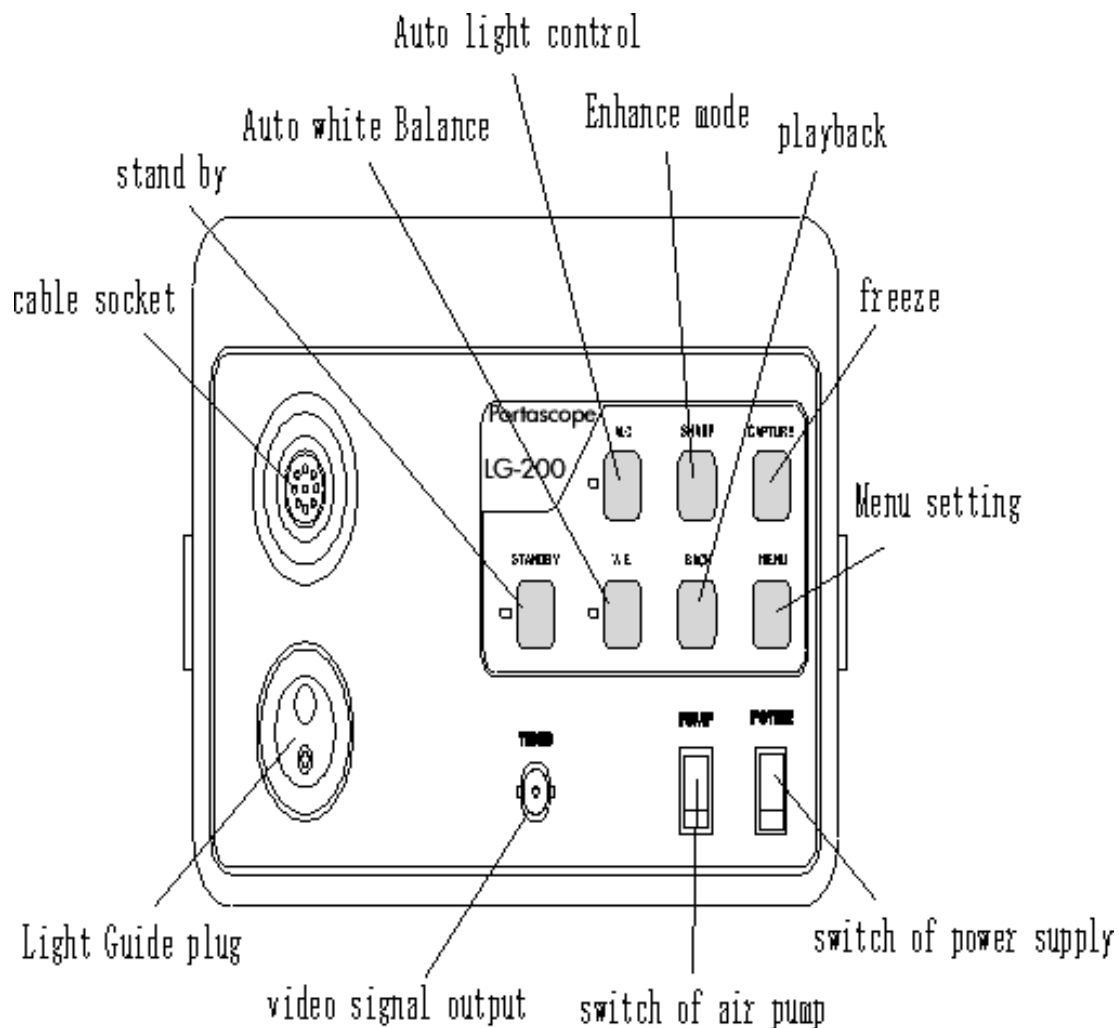
Adoption imaging processor produced by international famous company, it can deal image signal with digital processing to reproduce realistic images. There are output port at the handle of endoscopes which links to other display machines. Adopt fiber-optic light to get plenty of illumination. Processor is with small size and easily carried.

**If you experience any problems, please stop using, and contact our service Dept.
1-800-363-6726 + 941 792 7138**

III. Methods of operation







- 8) Plug the light guide section into the socket of light source according to Pic.1.
- 9) Connect BNC type cable to Video Out on 1800LG200 to a 19" + PAL type Multi Sync LCD Monitor!
- 10) Power on both Processor and LCD. Press the Button of "STANDBY" at the front panel. Wait the images shown on the LCD screen. If there is abnormal color of images, please press AWB (auto white balance) to adjust the color.(Aim to the white object while pressing the AWB button. If red light lit, the AWB setting is finished.

(NOTE: LCD Monitor shown is an optional Accessory not included)

Hook Video Signal Output to a 19" + PAL type Multi Sync LCD Monitor!
Pic.3

4. Inspection of endoscope
Adjust to the brightness adjustment knob until to the suitable brightness for observation.
- 11) Lighting Mode Default average metering, according to a peak meter (indicator light).
- 12) Before pull out of endoscope, place Up/Down/Right/left locker at the loose position. Gently pull endoscope out. Press button of "STANDBY" and power off the processor.

7. Descriptions of Processor Panel

Frozen function: Press “Frozen” button, there is shown both a frozen picture and a lively picture on the screen. (Set up this function from Menu) while capturing the frozen image. Repress this button again to release this function. Repeat pressing this button, it can save at most four images.

Mode: set up the digital number for frozen images, four/two /one.

Playback: playback for frozen images. Press once to playback one image.

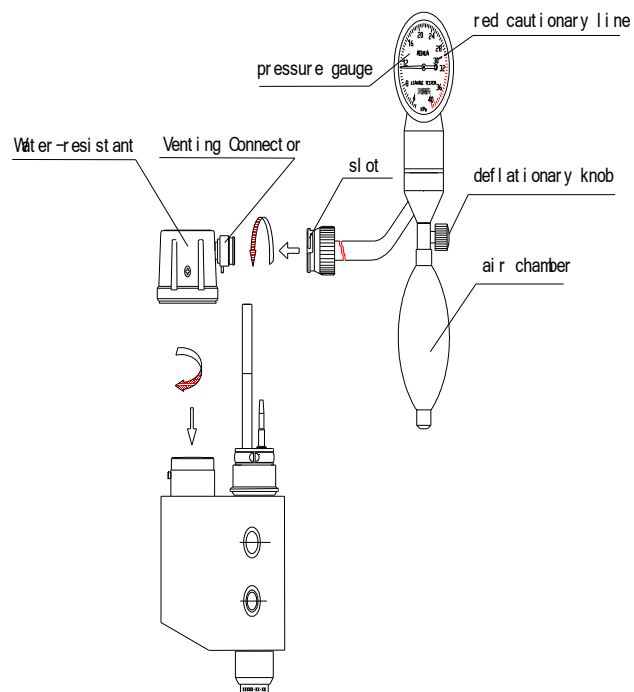
13) Enhance mode

Enhanced picture sharpness.

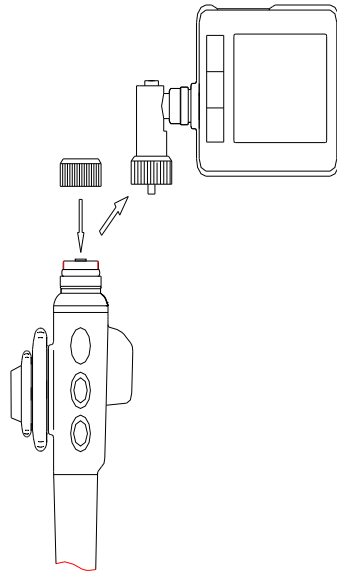
9. Menu settings

Press button for menu settings, the screen appears “Y”, “R”, and “B”, respectively represents luminance, red, and blue. At this time, press the dual-function keys (like enhanced mode, playback button, the freezing of the button) to adjust the levels and preservation.

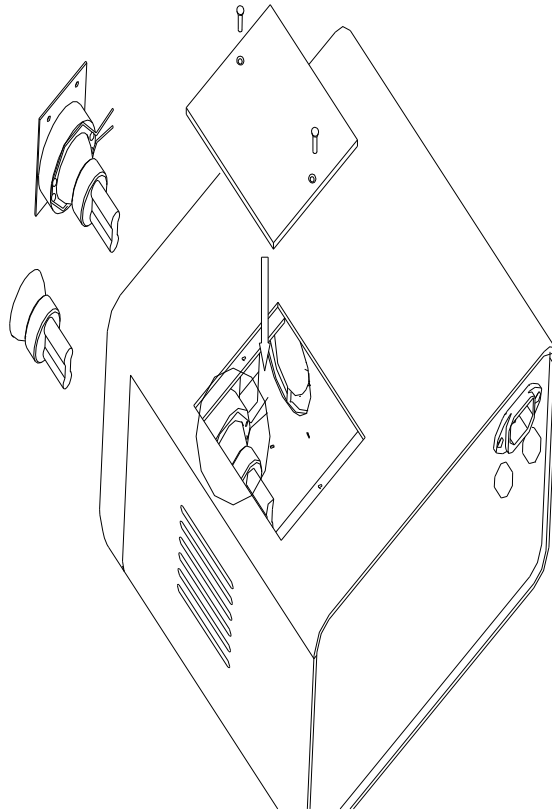
IV



Leaking Test:



Before Leaking Test, must release the nut to remove (optional) LCD screen. Then screw tightly the water-resistant cap attached the top of operating handle. See Pic 4



Before leaking test, please do connect all accessories for leaking test according to Pic.5. ★Caution: Must be sure that the electronic socket is sealed by water-resistant cap. And must disconnect light guide plug from Imaging Processor otherwise, it will damage the endoscopes. Pressure the leakage index until 20Kpa and then stop, to check whether or not the index declines. If the index slowly declines, please pressure slowly as well(but no more than 20Kpa otherwise it will damage the endoscope), while immerse the endoscope into water to see whether or not air bubbles emit from the surface of endoscope (Do allow not to exceed 3 air bubbles in a minutes). If air bubbles continue emitting, please do stop using this equipment immediately and then contact Service department or distributors timely. If the index is very stable which means the air tightly is under the good condition, it can be continue operated or disinfected by endoscope wash machine.

V. Replacement for Bulb

While exchange the bulb, remove the under door from processor by screw driver. And then release the fixed wire to replace the bulb. See Pic. 6.

(Bulb Type : Welch Allyn : M21E001)

VI. Cleaning and maintenance :

This product belongs to a precision instrument and so the internal structure is tightly compacted. After every operation, do clean it thoroughly by detergent or water and then try it by towel to prevent from dry dirt, rust which damages endoscope and affects the external appearance and normal usage of the performance.

After operation, please unplug the light guide plug from Processor and clean external surface by wet towel.

If there is dirt or spots on the objective lenses during procedure use the air/water button with water bottle 90% full, Before procedure wipe it by gauze soaked with some alcohol (alcohol wipe)

VII. Malfunctions and Methods of solution

Phenomenon	Methods of inspection
Water drop or stripe observed in image	Tel 1-800-363-6726
No or dark illumination	Check bulb or call
Inadequate deflection of tip end	Tel 1-800-363-6726
Angulations Control Knobs not working properly.	Tel 1-800-363-6726
The surface of insertion tube is not smooth	Tel 1-800-363-6726
Cracks with objective lens	Tel 1-800-363-6726

VIII. Attention Items

- ⊙ Confirm there is nothing wrong with the endoscopes and processor before operation.
- ⊙ Confirm the lockers are at the release position while inserting or pulling out of endoscopes.
- ⊙ Don't force bending, folding, twisting and collision because of fine contracture of endoscopes.
- ⊙ Carefully storage this equipment into the place where is avoiding heat, humidity and dust.
- ⊙ Please stop using the equipment if there is anything abnormal.

Do not immerse handle operation and eyepiece into solution.

THIS VIDEO ENDOSCOPY EQUIPMENT IS NOT FDA 510K APPROVED!
NOT APPROVED FOR MEDICAL USE IN ANY COUNTRY!

1800Endoscope.com LLC
6220 Manatee Ave. West #301
Bradenton, FL. 34209 USA
Website: <http://www.1800Endoscope.com>

